



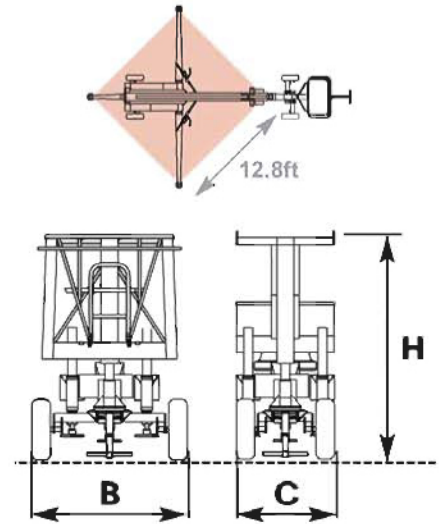
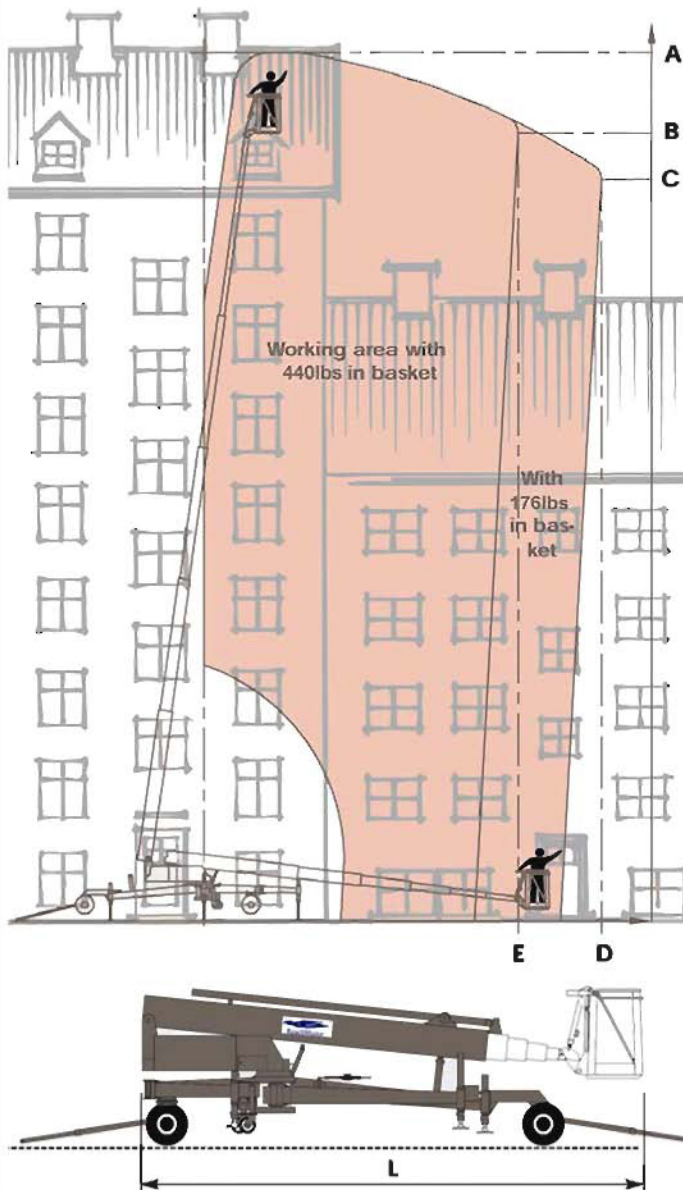
When limited access or weight restrictions prevent the use of standard straight boom lifts, the **ReachMaster Basic DL82N/DL92N** lift series represents a cost efficient, simple and efficient solution. With standard features that allow the lift to pass through single door openings, travel and set up on virtually any surface and reach work heights between 82-92ft, the ReachMaster Basic has become the workhorse for many facilities with uncomplicated, yet hard to reach aerial surfaces.

As with any ReachMaster product, safety is our number one concern and priority. The **ReachMaster Basic DL82N/DL92N** is equipped with an automatic safety system that adjusts reach capacity according to basket load. Double safety devices on both electrical and hydraulic systems in combination with break hose valves and pressure control valve systems provide maximum protection for the operator. Proportional controls allows for smooth and pleasant aerial operation.

A wide range of options, including electric power, water or air to the basket, alternative power supply, allows you to tailor the lift to your specific application and needs.



Diagrams and Specs



Specs	DL82N	DL92N*
Max work height A	82.0ft	82.0/92.0ft
Work height B	75.8ft	75.8/ - ft
Work height C	71.5ft	72.2/80.1ft
Max reach D	34.8ft	35.4/39.4ft
Reach E	29.2ft	26.6/ - ft
Max load in basket	440lbs	440/264lbs
Slew moment	Cont 360°	Cont 360°
Length L	23.3ft	24.0ft
Height H	6.5ft	6.5ft
Max width B	4.4ft	4.4ft
Max width C	2.9ft	2.9ft
Standard weight	5,742lbs	5,797lbs
Telescopic boom	5 tel boom	6 tel boom
Max pressure under wheels	72.5psi	72.5psi
Max pressure, round plate	100.8psi	100.8psi
Max pressure, wooden plate	17.7psi	17.7psi

* 1) With boom extension in: 82ft work height, 440lbs in basket
 * 2) With boom extension out: 92ft work height, 264lbs in basket (only for indoor use)

Standard and Optional Accessories

Standard Equipment:

- Rotating, detach, alu. basket, 3.9ft (DL82N only)
- Detachable alu basket, 3.9ft
- Battery operation
- Proportional control
- Hydraulic outriggers
- Hydraulic wheel drive
- ELCB 30mA
- Hour counter
- Charging key
- Yellow rotating light

Optional Equipment:

- Current supply
- Height limiting system, 2 steps
- Special color
- Yellow, flashing light on the outriggers
- Bio degradable hydraulic oil
- Adjustable basket from ground level

The information and data in this brochure are not considered binding without express confirmation by ReachMaster, Inc. and subject to change without notice