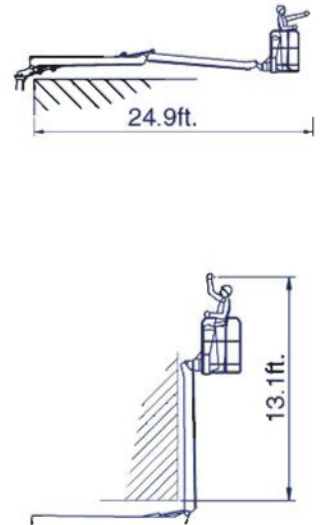
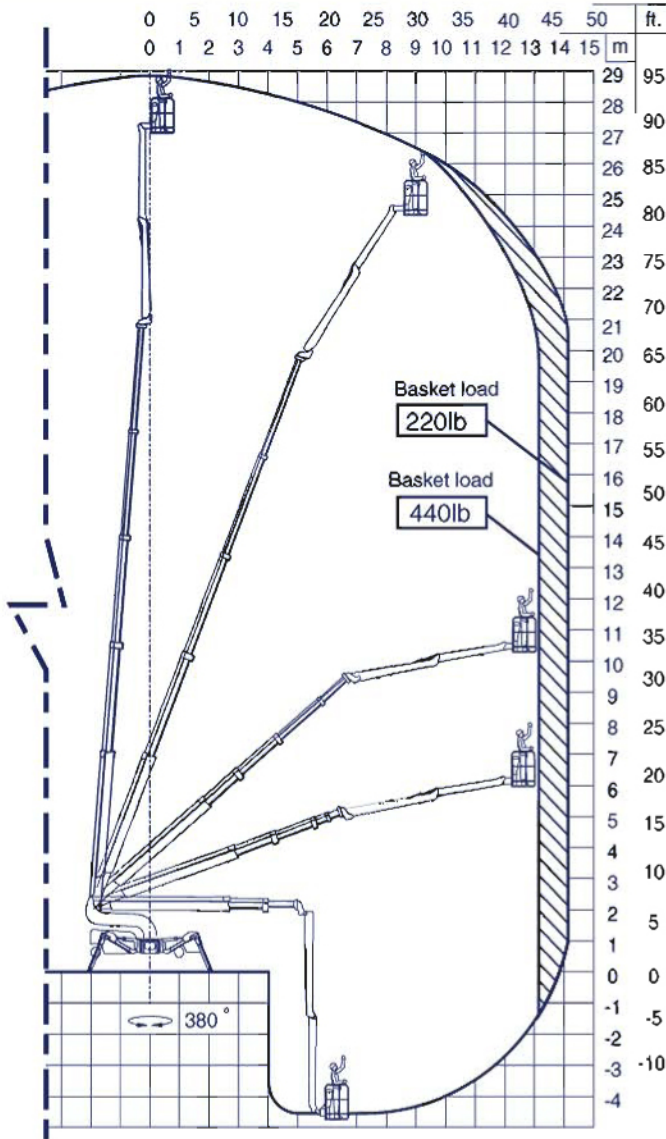
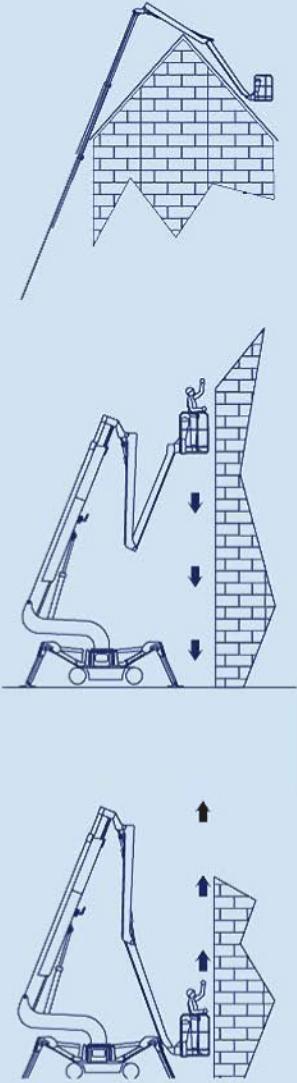




ReachMaster Falcon FS95

Reach diagram — Optimized position

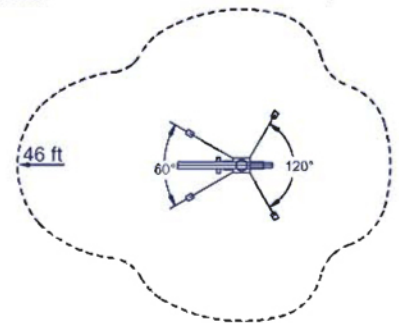
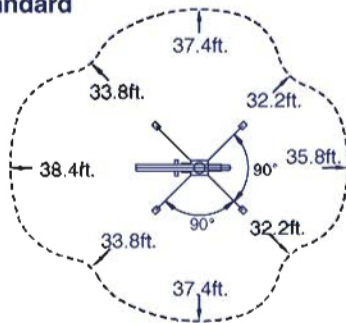


Reach with outriggers in different positions

Standard

Measurements in feet

Optimized



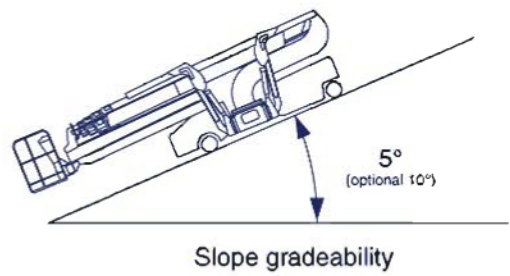
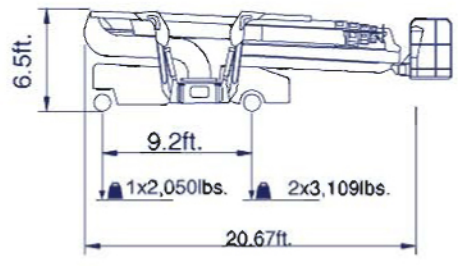
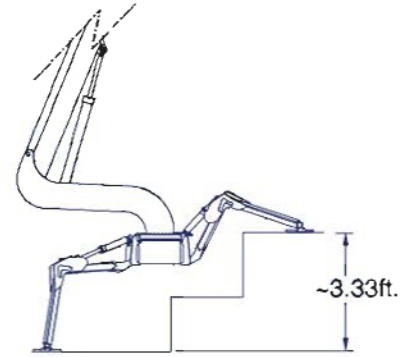
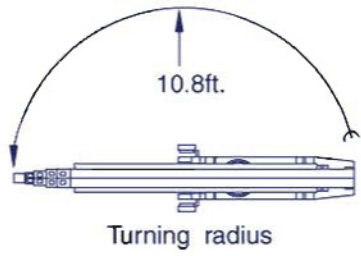
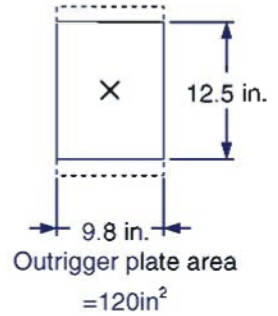
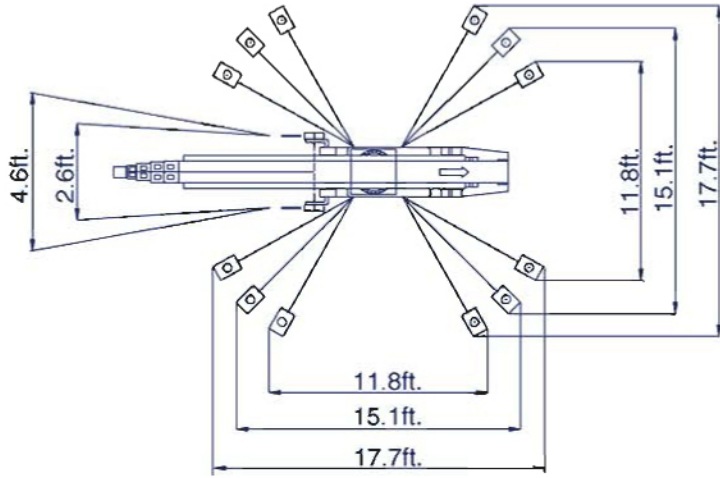
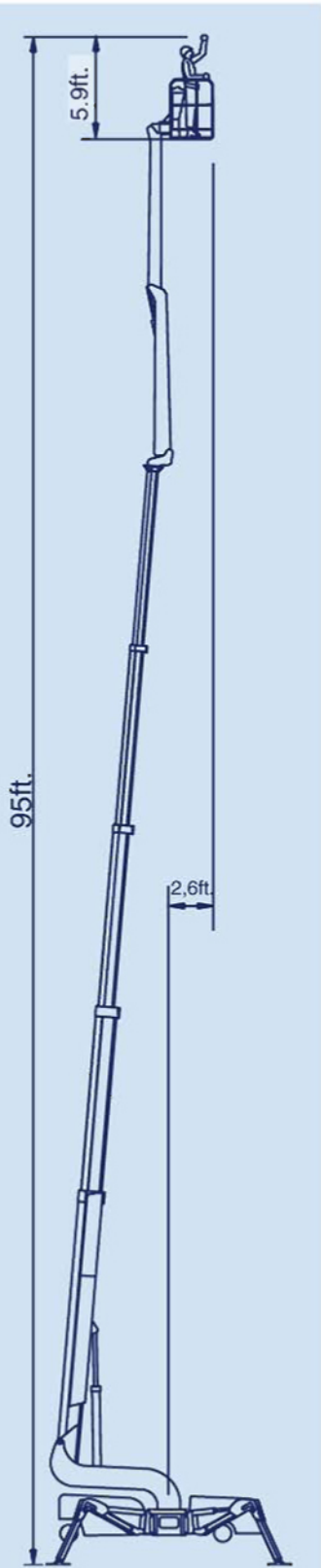
Basket load = 440lb

Basket load = 220lb

All measurements are intended as a guide. Choice of equipment may change the mentioned measurements

Steadman
LiftSystems LLC

Tel: 913.244.5699
info@steadmanlifts.com
www.steadmanlifts.com



Additional info:

Weight and ground pressure:

| | |
|--|----------------------------------|
| Weight with standard equipment | 8,268 lbs |
| Max. ground pressure under 1 wheel | 116.6 psi |
| Max. ground pressure under 1 outrigger plate | 34.1 psi |
| Front wheel area (depending on wheel type) | 1 x approx. 21.7 in ² |
| Rear wheel area (depending on wheel type) | 2 x approx. 26.6 in ² |

As all our products are in a constant process of development we reserve the right to alterations